

DMX Decoders – Constant Voltage

DMX Decoders

EV-DMX-DC-4CH



Product Description

- Constant Voltage LED DMX Decoder for 12V, 24V & 36V DC single output & 720W Power Rating.
- Standard DMX512 control interface.
- 4 PWM output channels.
- Suitable for RGBW & Tunable white application.

Features

- Supports RDM function
- Long service life
- Extremely reliable
- Input Voltage: 12V, 24V & 36V DC
- Output Voltage: same as input
- Max. Output Power: 720W (at 36VDC)
- Output PWM frequency from 200HZ to 35KHZ settable.
- Output dimming curve gamma value from 0.1 to 9.9 settable.
- DMX Address setting manually
- Settings accessible through digital display

Website:

www.enov.online



DMX Decoders

EV-DMX-DC-4CH

Technical Data

Input 12VDC

Voltage:	12VDC
Maximum Power:	240W

Output 12VDC

DC Voltage:	12 VDC
Rated Current:	5A per channel
Rated Power:	60W per channel

Input 24VDC

Voltage:	24VDC
Maximum Power:	480W

Output 24VDC

DC Voltage:	24 VDC
Rated Current:	5A per channel
Rated Power:	120W per channel

Input 36VDC

Voltage:	36VDC
Maximum Power:	720W

Output 36VDC

DC Voltage:	36 VDC
Rated Current:	5A per channel
Rated Power:	180W per channel

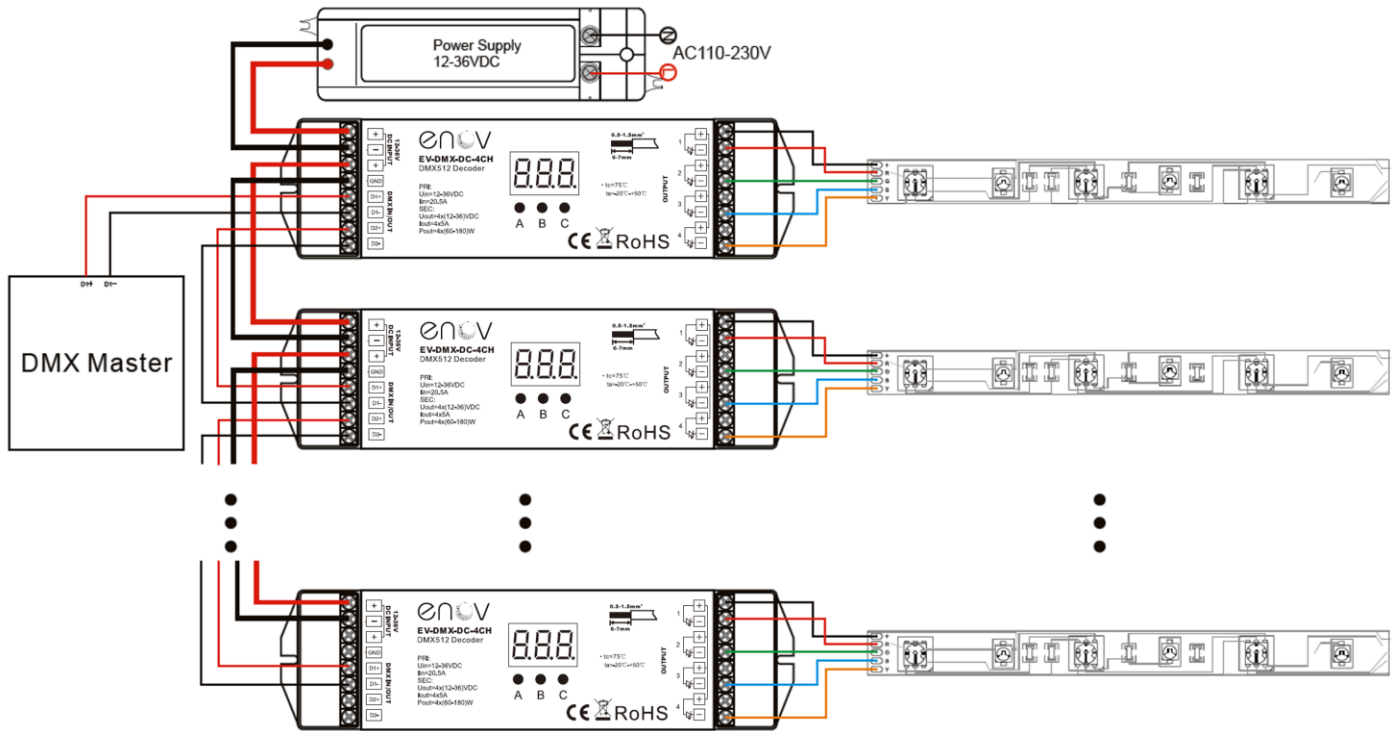
Others

Product Dimension:	178x46x22mm
--------------------	-------------

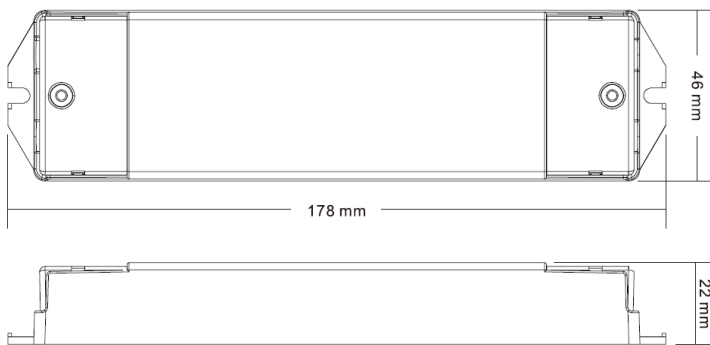
DMX Decoders

EV-DMX-DC-4CH

Installation / wiring



Product Dimension:



Standards

- DMX

Approvals



Safety & Warnings

- DO NOT install with power applied to device.
- DO NOT expose the device to moisture