

HYDRASONIC S8

FLOW SENSOR SUPPLEMENTARY DATASHEET



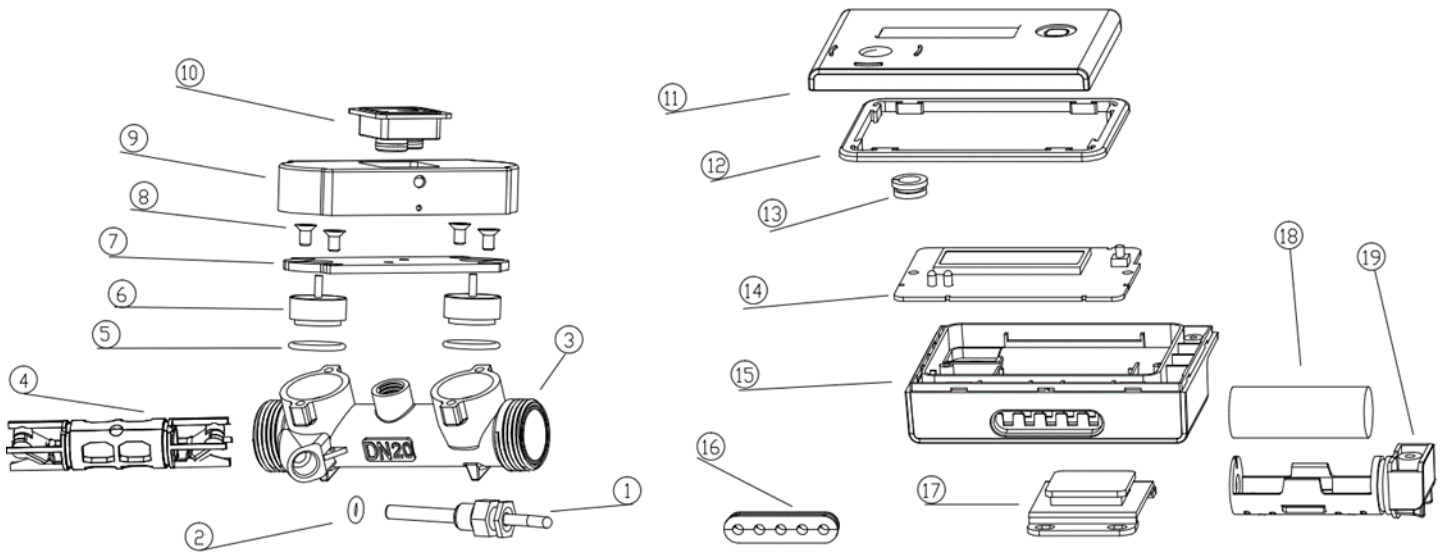
MECHANICAL DATA

Weight	From 0.720 to 1.580 kgs depending on flow sensor size
Ambient temperature	5 – 55 °C
Protection class (Flow sensor)	IP68 (heating/cooling)
Medium temperature	+1...+90 (+150 optional)
Medium in flow sensor	Glycol-free water
Storage temperature	+5 ... +55 max. -20...+60 (max. 4 weeks)
Pressure rating	PN16
Mounting position	Any position, no straight run requirements
Dynamic range (Q_p/Q_i)	1:100
Temperature sensor type	PT1000 , 2-wires: \varnothing 5.2 mm
Flow sensor cable length	1.5 m (standard), longer length optional

MATERIALS

Case, threaded	Brass
Case, flange	Stainless Steel
Transducer	PEEK
O-Rings	EPDM
Measuring tube	Thermoplastic
Reflectors	Stainless Steel 304
Screws	Stainless Steel 304
Top wall bracket (flow sensor)	Thermoplastic
Top sensor holder (flow sensor)	Stainless Steel 304

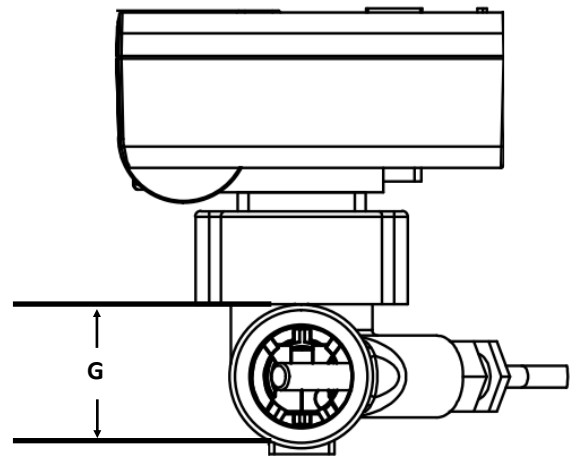
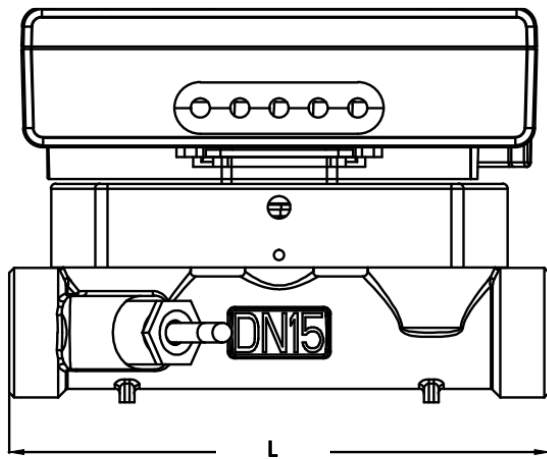
EXPLODED VIEW



Item No:	Description	Item No:	Description
1	Temperature sensor	11	Calculator top cover
2	Gasket for temperature sensor	12	Gasket for calculator
3	Brass body	13	Optical lens
4	Reflector tube	14	Printed Circuit Board & Display
5	Gasket for ultrasonic sensor	15	Calculator bottom housing
6	Ultrasonic flow sensor	16	Cable gland tray
7	SS Sensor support	17	Wall mounting bracket
8	SS Screws	18	Battery
9	Flow sensor cover	19	Battery sleeve
10	Mounting bracket		

DIMENSIONS

Nominal flowrate Q_p (m ³ /h) min	Maximum flowrate Q_{max}	Nominal diameter (DN)	Thread G (in)	Length L (mm)	Approx. weight (kg)
1,5	3,0	DN 15	G3/4B	110	0,720
2,5	5,0	DN 20	G1B	130	0,770
3,5	6,0	DN 25	G1 1/4B	160	0,930
6,0	12,0	DN 32	G1 1/2B	180	1,255
10,0	20,0	DN 40	G2B	200	1,580



PRESSURE LOSS GRAPH

