

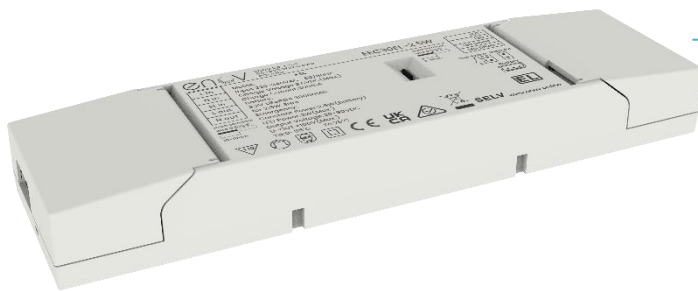
## Emergency Battery Pack

### Emergency Battery Pack for LED

EEC30EL

#### Product Description

- Constant Power output Emergency power supply with inbuilt battery.
- For LED Module with forward voltage of 20-90Vdc
- With LiFePO4 Batteries having useful life more than 4 years



#### Features

- Emergency battery pack with 3 hours battery backup
- Input Voltage: 220-240V AC
- Output Voltage: 20-90VDC SELV
- Output Power: 2.5W
- Compatible with dimmable or non-dimmable LED Drivers
- Can be installed remotely without the need of additional enclosure
- TÜV Rheinland Certified
- Extremely reliable with 1 year warranty on the Inverter and the Battery

#### Website:

[www.enov.online](http://www.enov.online)



# Emergency Battery Pack for LED

## EEC30EL

### Technical Data

#### Input

|                       |             |
|-----------------------|-------------|
| Voltage Range:        | 220-240VAC  |
| Frequency Range:      | 50-60 Hz    |
| Power Factor:         | PF>0.55     |
| Input Power           | 4.5W        |
| AC Current:           | 30mA/240VAC |
| Inrush Current (Max): | 1.5A/240VAC |

#### Output

|             |                |
|-------------|----------------|
| DC Voltage: | 20-90 VDC SELV |
|-------------|----------------|

#### Protection

|                         |        |
|-------------------------|--------|
| IP Rating:              | IP20   |
| Mains Surge:            | 1KV    |
| Max Casing Temperature: | 75°C   |
| Ambient Temperature:    | 0-55°C |

#### Environment:

|                        |                            |
|------------------------|----------------------------|
| Working Temp:          | -25°C to 50°C @ Full load  |
| Working Humidity:      | 10-95% RH, non-condensing  |
| Storage Temp Humidity: | -40°C to 80°C, 10-95% RH   |
| Vibration:             | 10-500Hz 2G 12min./1 cycle |

#### Safety & EMC

|                             |                                   |
|-----------------------------|-----------------------------------|
| Safety Standards:           | EN61347-2-7, EN61347-2-13         |
| Withstand Voltage:          | I/P- O/P:2KVAC                    |
| Withstand Time:             | 60s                               |
| EMI Conduction & Radiation: | Compliance to EN IEC 55015:2019   |
| EMS Immunity:               | EN55015, EN61000-3-2, EN61000-3-3 |

#### Others

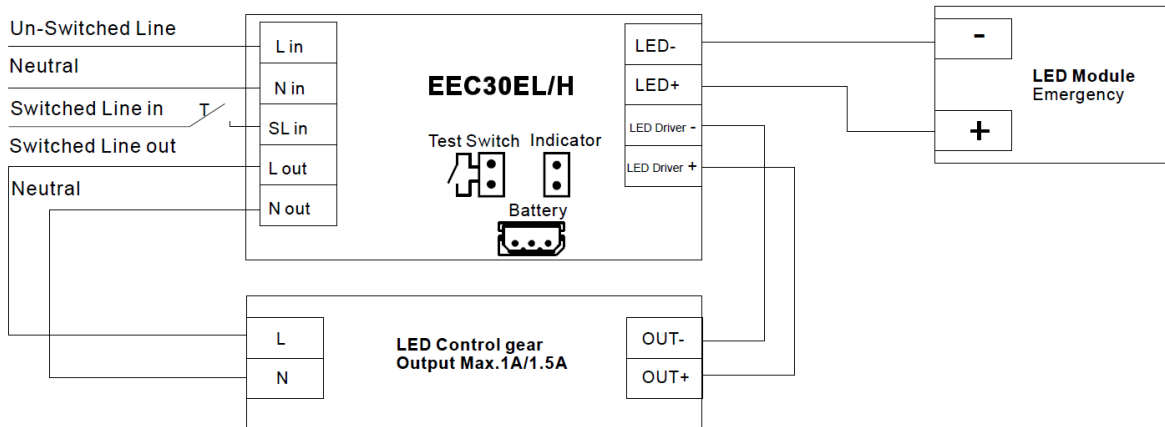
|                                   |                  |
|-----------------------------------|------------------|
| MTBF at 25°C Ambient Temperature: | 50000hrs Minimum |
| Inverter Dimension:               | 199x55.2x24.5mm  |

| Item Code      | Battery          | Emergency Power | Emergency Duration | Charge Current | Charge Time |
|----------------|------------------|-----------------|--------------------|----------------|-------------|
| EEC30EL-2.5-3H | 3.2V 3AH LiFePO4 | 2.5W            | 3 Hours            | 200mA          | 24 Hours    |

# Emergency Battery Pack for LED

## EEC30EL

### Installation / wiring



The indicator light will turn off under the following conditions:

1. When the power is off, the light enters the emergency mode
2. Normal Function: When the power is on, the battery is disconnected
3. After the power is connected, disconnect the power, and reconnect the battery  
(Note: in this case, please reset the AC power supply)

Requirements for LED Control gear:

1. LED driver the maximum output voltage shall not exceed 90V and the maximum current shall not exceed 1.5A/1A/0.5A.

Requirements for wiring wires:

1. Wire diameter range: 0.5-1.5 square meters.  
Crimping buckle can be fastened, wire diameter range: maximum 5.5mm, minimum 3mm.

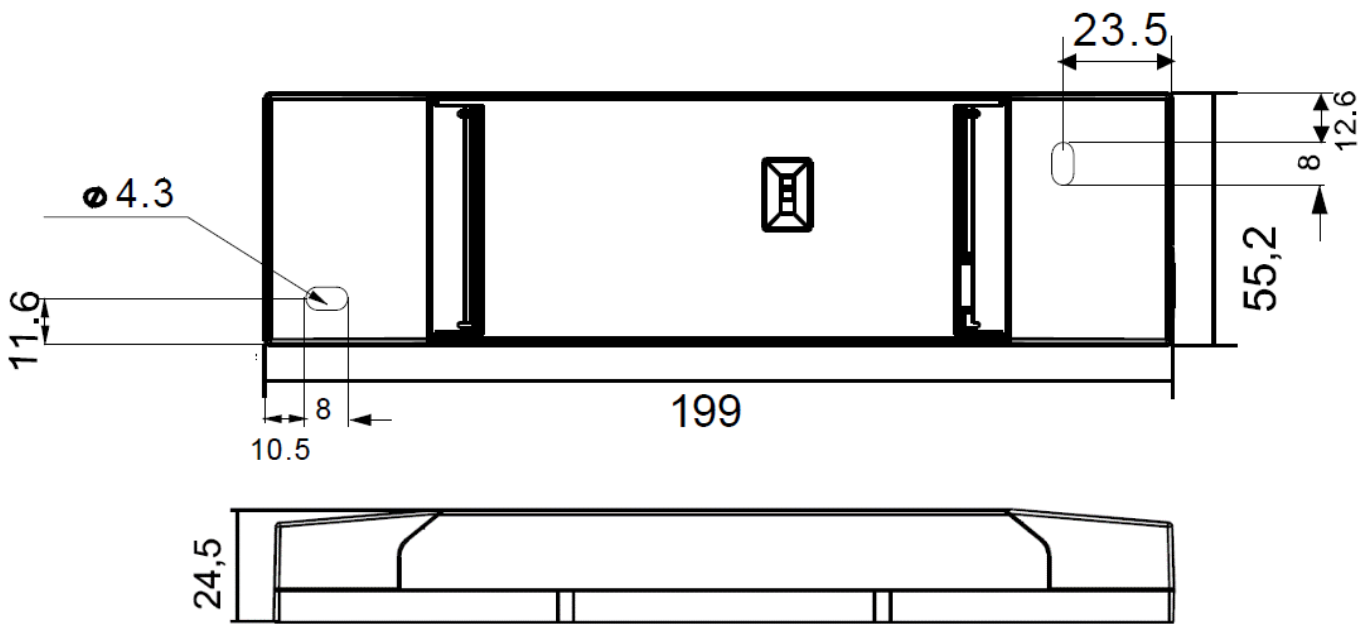
### Approvals



# Emergency Battery Pack for LED

EEC30EL

## Product Dimension:



## Standards

- EN 61347-2-7
- EN 61347-2-13
- EN 61347-1
- EN 61547
- EN 61000-3-2

## Safety & Warnings

- DO NOT install with power applied to device.
- DO NOT expose the device to moisture