

LED EMERGENCY LIGHTS

LED Emergency lights - Indoor Application

EPE-EM4-ST-MT-3H

Product Description

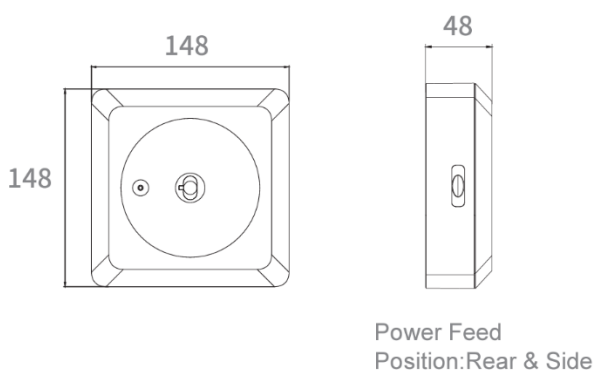
Compact square Emergency light with 3 hours battery backup suitable for Ceiling mounted application. Slim & modern design with RAL9016 finish & polycarbonate housing. LiFePO4 Battery with high temperature rating and long life time.



Features

- Suitable for Surface Mounted Application
- Square shape with 148x148mm size
- LED Light source with 240lm output during Emergency
- Inbuilt LiFePO4 Battery
- 3 Hours battery backup
- Non- Maintained Emergency light
- Polycarbonate housing
- RAL9016 Finish
- IP20

Dimensions:



Website:

www.enov.online



LED Emergency lights - Indoor Application

EPE-EM4-ST-MT-3H

Technical Data

Module

Catalogue number	EPE-EM4-ST-MT-3H
Duration Time	3 hours
Operating mode	Non Maintained
Version	Manual Test

Details

Colour	RAL 9016
Lumen Output	240 lm
Light Source	LED

Power

Active power	3W
Power supply	210/250 V AC 50/60 Hz
Power supply CB	186/254 V DC
Dimming mode	No

Standards

Temperature range	10-45°C
Material	Polycarbonate
Insulation class	2
IP	IP20
IK	IK05

Battery	LiFePO4 3.2V 1500mAh
----------------	----------------------

Warranty	Housing & PCB - 60 months Battery - 24 months
-----------------	--

LED lifetime	50 000 work hours
---------------------	-------------------

STANDARDS

- IEC 60598-2-2:2011,
- IEC 60598-2-22:2014+A1,
- IEC 60598-1:2014+A1,
- IEC 60598-2-22:2014, AMD1:2017 used in conjunction with IEC 60598-1:2014, AMD1:2017
- EN IEC 55015:2019+A11
- EN IEC 61000-3-2:2019+A1
- EN 61000-3-3:2013+A1
- EN 61547:2009