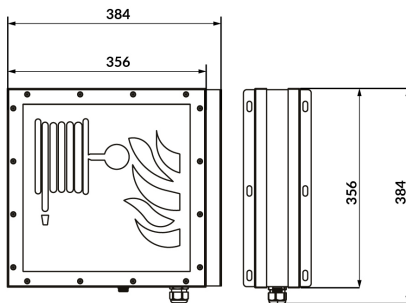
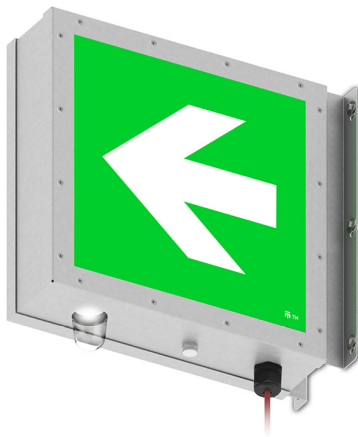


TM.INDUST R 3DF CB



Catalog number	TM-RP.DFCB0300H
Application	evacuation route direction
Duration time	-
Operating mode	-
Version	for central battery
Colour	H – Raw
Visibility	60 m
Luminance	>200 cd/m ²
Maximum light power (the luminaire can power the light source with a different power)	1.6 W
Active power	* W
Power supply	210+250 V AC
Power supply CB	186+254 V DC
Dimming mode	no
Temperature range	-25-45 °C
Material	nierdzewka
Appliance classes	1
IP	IP66/69
IK	IK08
LED Lifetime	50 000 work hour
Guarantee	body, electronics, light source: • CB DALI 2 - 60 months • CB - 60 months

