

LED drivers – Constant Voltage TRIAC & 0/1-10V

Linear LED Drivers - Indoor Application

EV-12T-150



Product Description

- Constant Voltage LED Driver with 12V single output & 150W Power Rating.
- TRIAC & 0/1-10V 2-in-1 Dimmable Driver
- High thermal efficiency because of its perforated metal casing.
- Worldwide compatibility as it has wide window of input voltage ranging from 100-240VAC.

Features

- High Efficiency
- Long service life
- Extremely reliable
- Input Voltage: 100-240VAC, 50/60Hz
- Output Voltage: 12VDC
- Max. Output Power: 150W
- TRIAC & 0/1-10V Dimmable
- Protection against Short-circuit/Over-load/Over-current/Over-temperature.
- Flicker free operation
- 100% full load aging test
- Cooling by air convection

Website:

www.enov.online



Linear LED Drivers - Indoor Application

EV-12T-150

Technical Data

Input

Voltage Range:	100-240 VAC
Frequency Range:	50-60 Hz
Power Factor:	PF>0.5
Efficiency (Typ.):	85%
AC Current:	1.25A
Inrush Current (Max):	60A

Output

DC Voltage:	12 VDC
Rated Current:	12.5A
Rated Power:	150W
Electricity Tolerance:	±5%
Line Regulation:	±3%

Protection

Overload:	≤120%
Over current:	≤1.2*I out
Over temperature:	100°C
Short Circuit:	Hiccup mode, recovers automatically

Environment:

Working Temp:	-25°C to 50°C @ Full load
Working Humidity:	20-60% RH, non-condensing
Storage Temp Humidity:	-40°C to 80°C, 10-95% RH
Vibration:	10-500Hz 2G 12min./1 cycle

Safety & EMC

Safety Standards:	CE Mark
Withstand Voltage:	I/P- O/P: 1.5 KVAC
EMC Immunity:	EN55015:2013;EN61547:2009; EN61000-3-2:2014; EN61000-3-3:2013

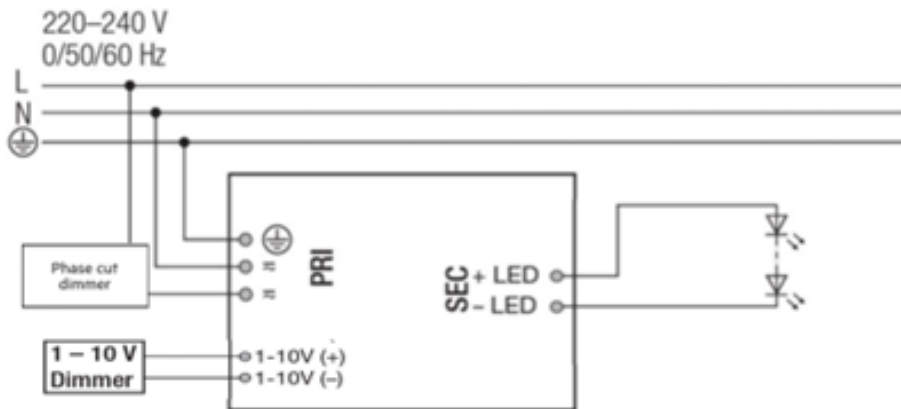
Others

MTBF:	30000hrs Minimum
Product Dimension:	287x49x29mm
Packing:	50pcs, 13KG

Linear LED Drivers - Indoor Application

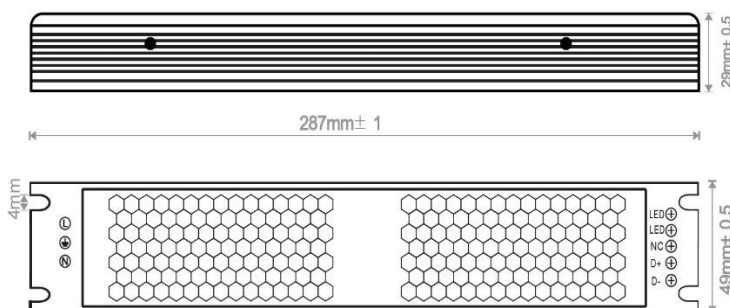
EV-12T-150

Installation / wiring



- All connections must be kept as short as possible to ensure good EMI behavior.
- Mains leads should be kept apart from LED driver and other leads (ideally 5 – 10 cm distance)
- Max. length of output wires is 2 m.
- To comply with the EMC regulations run the secondary wires (LED module) in parallel.
- Secondary switching is not permitted.
- Incorrect wiring can damage LED modules.
- To avoid the damage of the Driver, the wiring must be protected against short circuits to earth (sharp edged metal parts, metal cable clips, louver, etc.)

Product Dimension:



Standards

- EN 55015
- EN 61547
- EN 61000-3-2
- EN 61000-3-3

Approvals



Safety & Warnings

- DO NOT install with power applied to device.
- DO NOT expose the device to moisture

LED drivers – Constant Voltage TRIAC & 0/1-10V

Linear LED Drivers - Indoor Application

EV-12T-200



Product Description

- Constant Voltage LED Driver with 12V single output & 200W Power Rating.
- High thermal efficiency because of its perforated metal casing.
- Worldwide compatibility as it has wide window of input voltage ranging from 100-240VAC.

Features

- High Efficiency
- Long service life
- Extremely reliable
- Input Voltage: 100-240VAC, 50/60Hz
- Output Voltage: 12VDC
- Max. Output Power: 200W
- Protection against Short-circuit/Over-load/Over-current/Over-temperature.
- Flicker free operation
- 100% full load aging test
- Cooling by air convection
- Suitable for dry location

Website:

www.enov.online



Linear LED Drivers - Indoor Application

EV-12T-200

Technical Data

Input

Voltage Range:	100-240 VAC
Frequency Range:	50-60 Hz
Power Factor:	PF>0.5
Efficiency (Type):	85%
AC Current:	1.58A
Inrush Current (Max):	60A

Output

DC Voltage:	12 VDC
Rated Current:	16.7A
Rated Power:	200W

Electricity Tolerance:	±5%
Line Regulation:	±3%

Protection

Overload:	≤120%
Over current:	≤1.2*I out
Over temperature:	100°C
Short Circuit:	Hiccup mode, recovers automatically

Environment:

Working Temp:	-25°C to 50°C @ Full load
Working Humidity:	20-60% RH, non-condensing
Storage Temp Humidity:	-40°C to 80°C, 10-95% RH
Vibration:	10-500Hz 2G 12min./1 cycle

Safety & EMC

Safety Standards:	CE Mark
Withstand Voltage:	I/P- O/P: 1.5 KVAC
EMC Immunity:	EN55015:2013;EN61547:2009; EN61000-3-2:2014; EN61000-3-3:2013

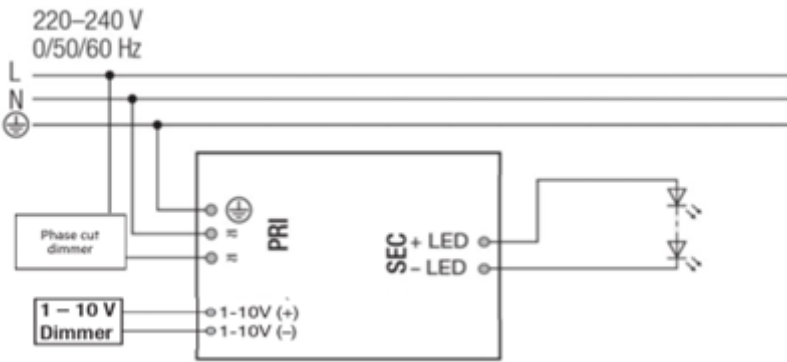
Others

MTBF:	30000hrs Minimum
Product Dimension:	287x49x29mm
Packing:	50pcs, 13KG

Linear LED Drivers - Indoor Application

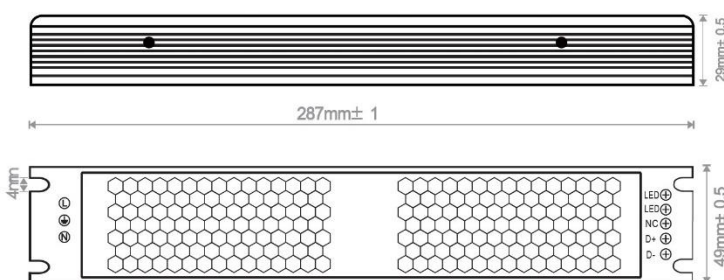
EV-12T-200

Installation / wiring



- All connections must be kept as short as possible to ensure good EMI behavior.
- Mains leads should be kept apart from LED driver and other leads (ideally 5 – 10 cm distance)
- Max. length of output wires is 2 m.
- To comply with the EMC regulations run the secondary wires (LED module) in parallel.
- Secondary switching is not permitted.
- Incorrect wiring can damage LED modules.
- To avoid the damage of the Driver, the wiring must be protected against short circuits to earth (sharp edged metal parts, metal cable clips, louver, etc.)

Product Dimension:



Standards

- EN 55015
- EN 61547
- EN 61000-3-2
- EN 61000-3-3

Approvals



Safety & Warnings

- DO NOT install with power applied to device.
- DO NOT expose the device to moisture