

**Driver LCU 48V 150W DC-STR FO SR**

Fixed output



**Product description**

- \_ Independent fixed output DC-String constant voltage LED Driver
- \_ Compatible with other DC-String components
- \_ Max. output power 150 W
- \_ Up to 93 % efficiency
- \_ Nominal life-time up to 50,000 h
- \_ For luminaires of protection class I and protection class II
- \_ Temperature protection as per EN 61347-2-13 C5e
- \_ 5-year guarantee

**Housing properties**

- \_ Casing: polycarbonate, white
- \_ Type of protection IP20

**Functions**

- \_ DC-String compatible
- \_ Intelligent Temperature Guard (overtemperature protection)
- \_ Short-circuit protection
- \_ Overload protection

**Website**

<http://www.tridonic.com/28001045>



Spotlights



Downlights



Linear



Area



Floor | Wall



Free-standing



Street



Decorative

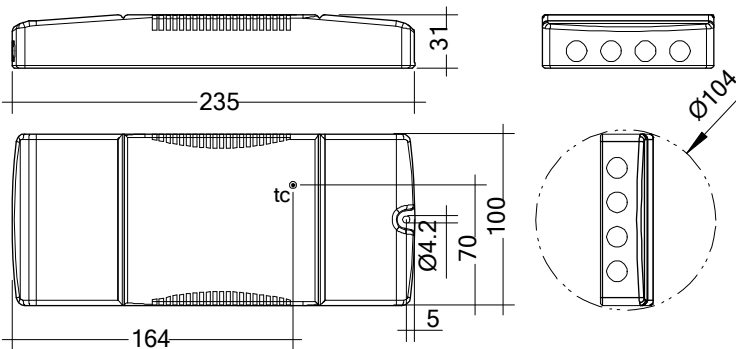


High bay

**Driver LCU 48V 150W DC-STR FO SR**

Fixed output

The complete data sheet for this product is available in the Downloads section.

**Ordering data**

Type	Article number	Packaging, carton	Packaging, pallet	Weight per pc.
LCU 48V 150W DC-STR FO SR	28001045	10 pc(s).	300 pc(s).	0.365 kg

**Technical data**

Rated supply voltage	220 – 240 V
AC voltage range	198 – 264 V
DC voltage range	176 – 280 V
Mains frequency	0 / 50 / 60 Hz
Typ. rated current (at 230 V, 50 Hz, full load)	707 mA
Typ. current (220 V, 0 Hz, full load)	735 mA
Leakage current (at 230 V, 50 Hz, full load)	< 500 µA
Max. input power	162 W
Typ. efficiency (at 230 V, 50 Hz, full load)	93 %
$\lambda$ (at 230 V, 50 Hz, full load)	0.99C
Typ. input current in no-load operation	51 mA
Typ. input power in no-load operation	2.4 W
In-rush current (peak / duration)	67.1 A / 173.2 µs
THD (at 230 V, 50 Hz, full load)	< 5 %
Output voltage tolerance	-1 ... +7 %
Output LF current ripple (< 120 Hz)	± 1 %
Max. output voltage (U-OUT)	51.3 V
Max. cable length secondary	See data sheet section 3.5
Mains surge capability (between L - N)	1 kV
Mains surge capability (between L/N - PE)	2 kV
Surge voltage at output side (against PE)	< 450 V
Ambient temperature $t_a$	-25 ... +55 °C
Max. casing temperature $t_c$	80 °C
Dimensions L x W x H	235 x 100 x 31 mm

**Approval marks****Standards**

EN 55015, EN 61000-3-2, EN 61000-3-3, EN 61347-1, EN 61347-2-13, EN 62384, EN 61547